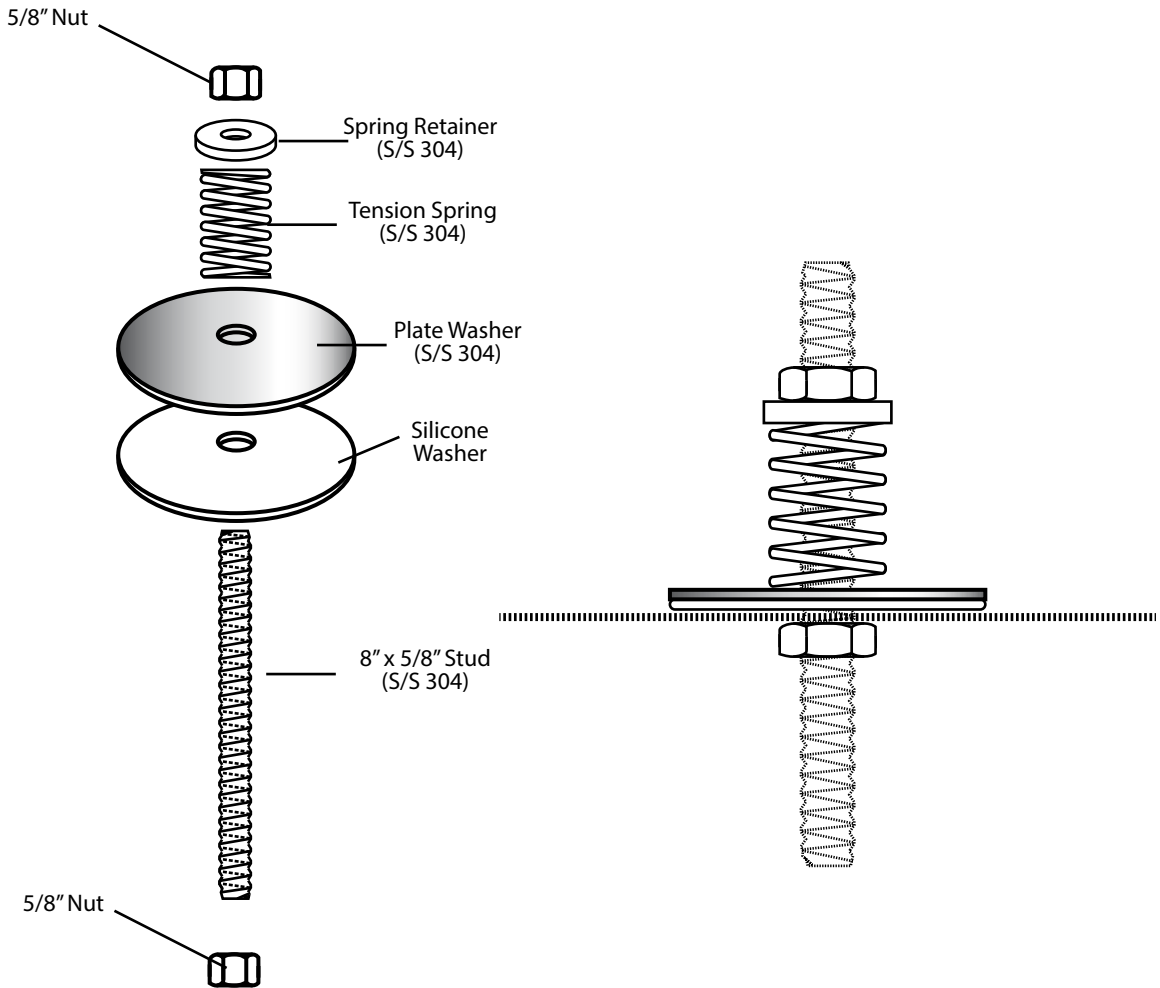




**AGT INTERNATIONAL SDN BHD**

(Co. No. 1237938-H)  
No. 39, Jalan Industri Mas 2, Taman Mas,  
47130 Puchong, Selangor Darul Ehsan, Malaysia.  
Tel: 6016-322 0390 Fax: 603-8068 3990  
Email: sales@agtisb.com  
( GST No: 002098098176 )



**SWETCO CENTER TIE DOWN ASSEMBLY**

---

---